

# FEATHERTOUCH™ CORDLESS

..... Exclusively for Color Lux Roller Shades



## KEY FEATURES

.....

- Ultra smooth operation. Easy to lift and lower at the largest shade size!
- Optional fabric valance for inside mount can be attached with any EZ Mount hardware shade to conceal the roller
- Excellent for precise alignment with an optional magnetic wand for hard to reach shades
- FeatherTouch Shades are also available with all Designer Cassette options
- EZ Mounting Bar provides simple click-in installation

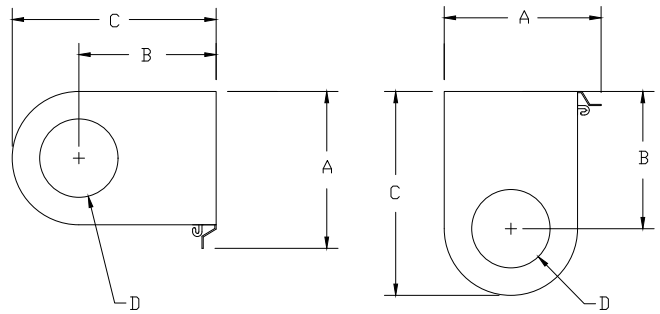


# NEW FEATHERTOUCH™ CORDLESS WITH EZ MOUNT HARDWARE



## Shade Bracket Dimensions:

- A = 2½"
- B = 2¾"
- C = 3¼"
- D = 1½" Diameter (37mm)



## Head Rail Consistency

Fabric will add an average of 1/8" to the diameter of the tube for every 10" of fabric rolled onto the tube. Contact Technical Services if additional services is needed.

## Hardware Features

Roll Style:	Standard roll only (Reverse roll is not available)
EZ Mount Hardware Color:	White, Black and Nickel
Bracket Covers:	White, Black and Nickel
Bottom Rail Style:	Fabric Wrapped or Exposed Bottom Rail
Bottom Rail Color:	Fabric Wrapped: White, vanilla, bronze, black or brushed aluminum Exposed: White, vanilla, bronze, black or brushed aluminum

## Motorization

FeatherTouch Roller with EZ Mount hardware **cannot** be motorized.

## Head Rail Surcharge

See price grids for Cordless surcharge information.

## Mounting Dimensions

Minimum depth for flush inside mount including installation brackets: 2½"

Minimum outside mounting height: 2¼" ( 1/8" below bracket and 5/8" minimum above bracket)

## FeatherTouch Cordless Roller Finished Dimensions (+/- 1/8")

Inside Mount with EZ Mount Hardware		Inside Mount with Designer Cassette
Head Rail Measurement:	Ordered width minus 3/16" (includes end brackets & covers)	Ordered width minus 3/16" (includes end caps)
Fabric Width:	Ordered width minus 1 3/16"	Ordered width minus 1 ¼"
Outside Mount with EZ Mount Hardware		Outside Mount with Designer Cassette
Head Rail Measurement:	Ordered width plus ½" (includes end brackets and covers)	Ordered width plus 3/16" (includes end caps)
Fabric Width:	Ordered width minus ½"	Ordered width minus 7/8"
Exact End to End Mount with EZ Mount Hardware		Exact Mount with Designer Cassette
Head Rail Measurement:	Ordered width (includes end brackets and covers)	Ordered width (includes end caps)
Fabric Width:	Ordered width minus 1"	Ordered width minus 1 1/16"

## FeatherTouch Size Specifications:

Fabric	Minimum Width	Size Specification Chart (Minimum Length = 15" for all fabrics)
Linen Light Filtering	20"	If width is 30" or less, then maximum length is 57". If width is over 30", then maximum length is 84".
Linen Blackout	17"	If width is 26" or less, then maximum length is 51". If width is over 26", then maximum length is 84".
Duck Light Filtering	19"	If width is 30" or less, then maximum length is 61". If width is over 30", then maximum length is 84".
Duck Blackout	17"	If width is 26" or less, then maximum length is 53". If width is over 26", then maximum length is 84".
Solar Screen 5	23"	If width is 36" or less, then maximum length is 63". If width is over 36", then maximum length is 84".

## NEW FEATHERTOUCH™ CORDLESS GENERAL INFORMATION

### FeatherTouch™ Cordless Features

Unlike other spring operated cordless shades, the FeatherTouch™ cordless roller system maintains a balance between the weight of the fabric and the strength of the spring. This provides:

- Fine adjustment and precision placement of the shade
- Alignment across multiple shades
- Safest option for kids
- Smooth operation
- All EZ Mount hardware shades feature a standard light block

**List Price for FeatherTouch Cordless Upgrade Option: \$42.00**

### FeatherTouch™ Operation

To operate FeatherTouch Cordless shades, simply pull on the center of the bottom rail until you reach your desired position. To lift your shade, push the bottom rail upwards. FeatherTouch does not have a release mechanism that raises the shade. Operation is all with a touch of your finger.

### FeatherTouch™ EZ Mount Hardware Finishes

FeatherTouch is available with the EZ Mount Hardware option or Designer Cassette.

EZ Mount hardware is available in three colors:

- White
- Black
- Designer Nickel (**\$63.00 List Surcharge**)

All FeatherTouch shades with EZ Mount hardware include matching end cap covers for both inside mount and outside mount shades.



White EZ Mount Hardware



Black EZ Mount Hardware



Designer Nickel  
EZ Mount Hardware



EZ Mount Hardware ensures the proper spacing of brackets for the best performance.



A light block is standard with every EZ Mount shade

## FeatherTouch™ Cordless Options and Upgrades

### Fabric Valance Option for Inside Mount Shades

FeatherTouch Cordless Shades feature an optional 4.5" fabric valance to conceal the EZ Mount Hardware. Valances are only available in matching shade fabric and color, and attach separately with the supplied brackets. A light block is attached to the back of the headrail for better light control. Fabric Valances are only available for Inside Mount shades ordered with the EZ Mount Hardware system. A surcharge of **\$33.00 List** will apply.

### Clear Handle

A clear handle is included at no charge for every FeatherTouch roller shade unit. To prevent damage to the roller shade fabric, handles are not installed at the factory. The width of the handle is 2 1/8" wide.

**Telescoping:** To prevent telescoping, the factory has indicated the center of your bottom rail for easy and accurate handle placement.

### Magnetic Wand Kit

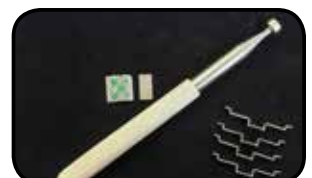
The magnetic wand is optional for hard to reach shades and attaches to the magnetic plate included with your kit. Four handle plates are included with every kit. The pole is extendable up to 33". A surcharge of **\$39 List** will be applied. Other standard pole options are available.



Fabric Valance Upgrade



Clear Handle



Optional Magnetic Wand Kit

### Additional Information

- FeatherTouch Cordless is NOT available as reverse roll.
- Decorative Pulls and Tassels are NOT available.
- A 6mm hex wrench is required if adjustment is necessary. Tension and upstops are set at the factory.



# COLOR LUX® FEATHERTOUCH™ CORDLESS ROLLER SHADES

## EZ MOUNT HARDWARE COLORS

---



EZ Mount Hardware comes in 3 colors.

## EZ MOUNTING BAR HARDWARE

---



EZ Mount hardware allows for simple click-in installation and provides precise bracket placement for best operation.

## FABRIC VALANCE OPTION

---



A fabric valance is optional to hide the roller and easily attaches with EZ Mount hardware.

